
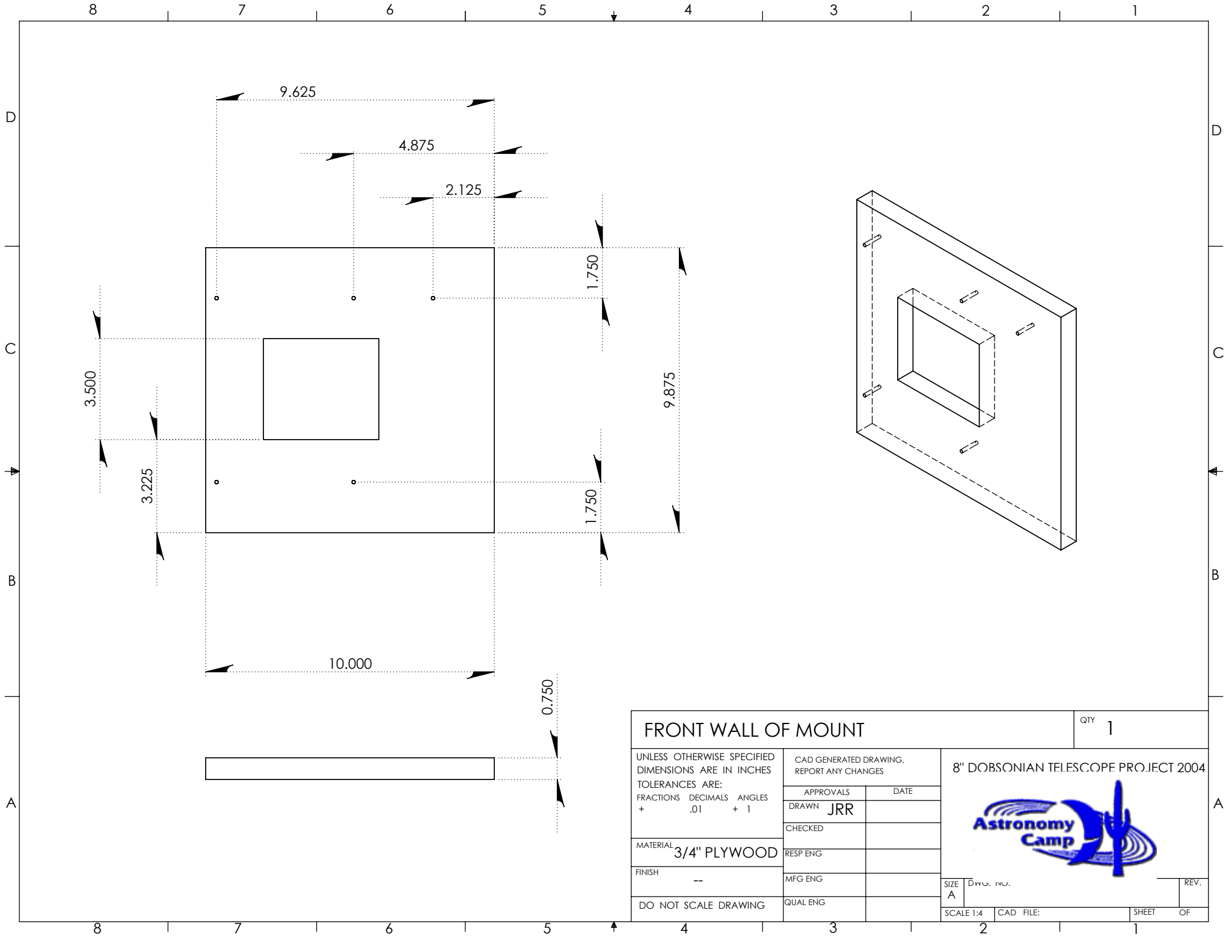



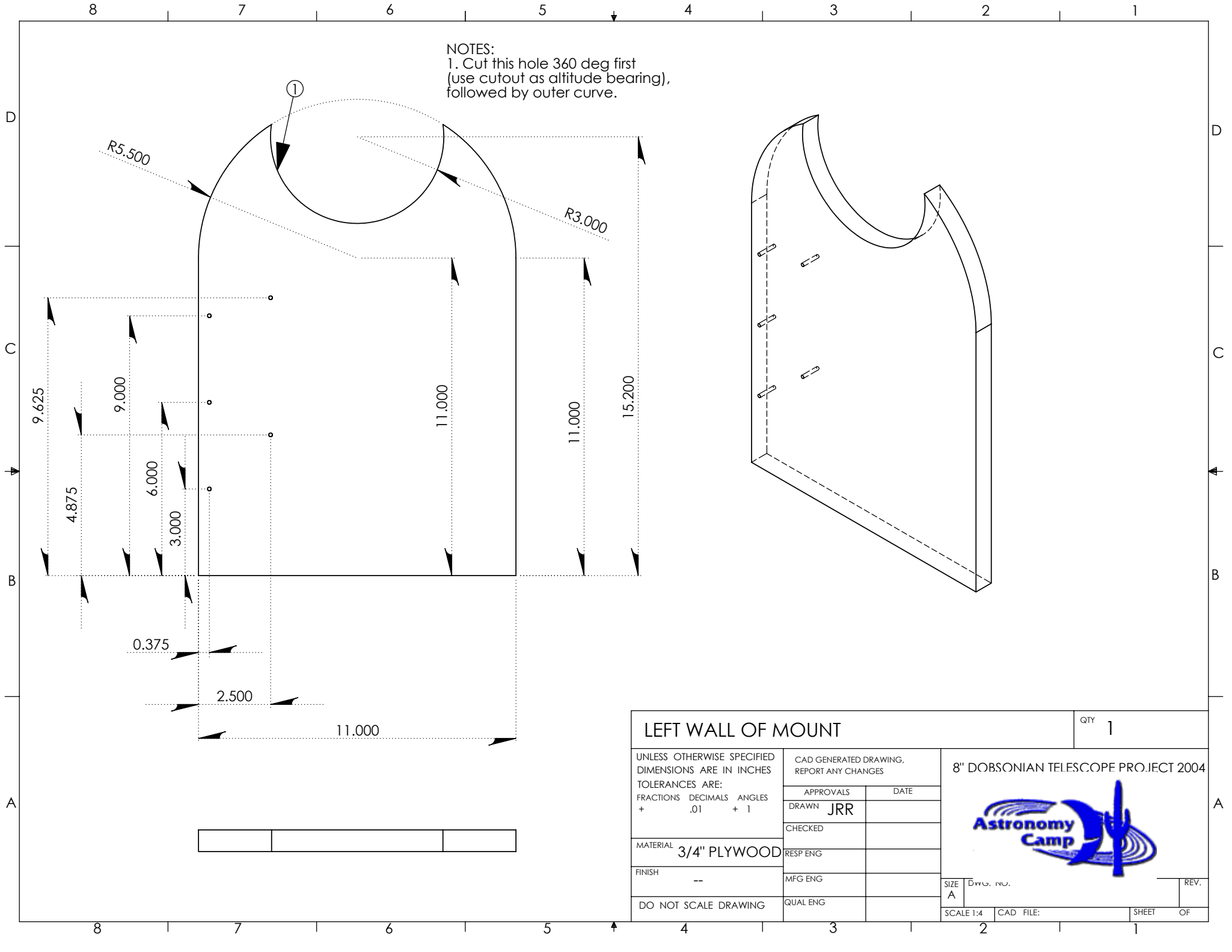
BOTTOM VIEW, showing location of three rubber feet.

- NOTES:
1. Lazy Susan bearing sandwiched between ground board and base board, secured with wood screws.
  2. Predrill 1/8" holes for foot screws, 3/8" deep.
  3. Walls secured to each other and base board with fifteen 2" drywall screws.
  4. Shelves secured with 1.25" wood screws, two per shelf.
  5. Teflon pads, 3/4" x 3/4", each secured by two #3x3/8" wood screws and/or epoxy.

MOUNT ASSEMBLY			QTY 1	
UNLESS OTHERWISE SPECIFIED DIMENSIONS ARE IN INCHES TOLERANCES ARE: FRACTIONS    DECIMALS    ANGLES +                .01                + 1		CAD GENERATED DRAWING. REPORT ANY CHANGES		8" DOBSONIAN TELESCOPE PROJECT 2004 
		APPROVALS	DATE	
DRAWN	JRR			
CHECKED				
MATERIAL	VARIOUS	RESP ENG		
FINISH	--	MFG ENG		
DO NOT SCALE DRAWING		QUAL ENG		
SIZE A	DWG. NO.		REV.	
SCALE 1:10	CAD FILE:		SHEET OF	



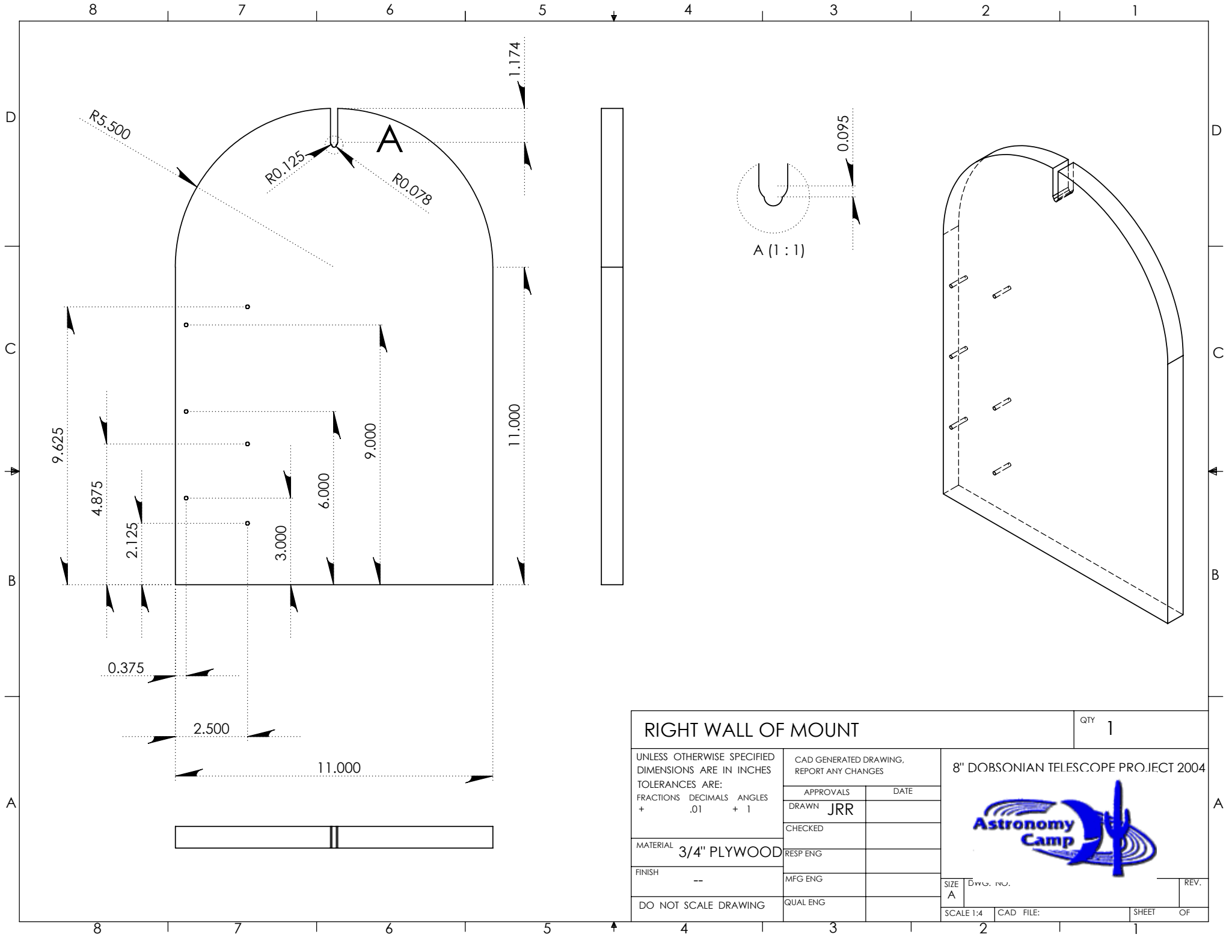
<b>FRONT WALL OF MOUNT</b>			QTY 1			
UNLESS OTHERWISE SPECIFIED DIMENSIONS ARE IN INCHES TOLERANCES ARE: FRACTIONS    DECIMALS    ANGLES +                .01                + 1		CAD GENERATED DRAWING. REPORT ANY CHANGES		8" DOBSONIAN TELESCOPE PROJECT 2004 		
		APPROVALS	DATE			
DRAWN	JRR					
CHECKED						
MATERIAL	3/4" PLYWOOD	RESP ENG				
FINISH	--	MFG ENG		SIZE A	DWG. NO.	REV.
DO NOT SCALE DRAWING		QUAL ENG		SCALE 1:4	CAD FILE:	SHEET OF



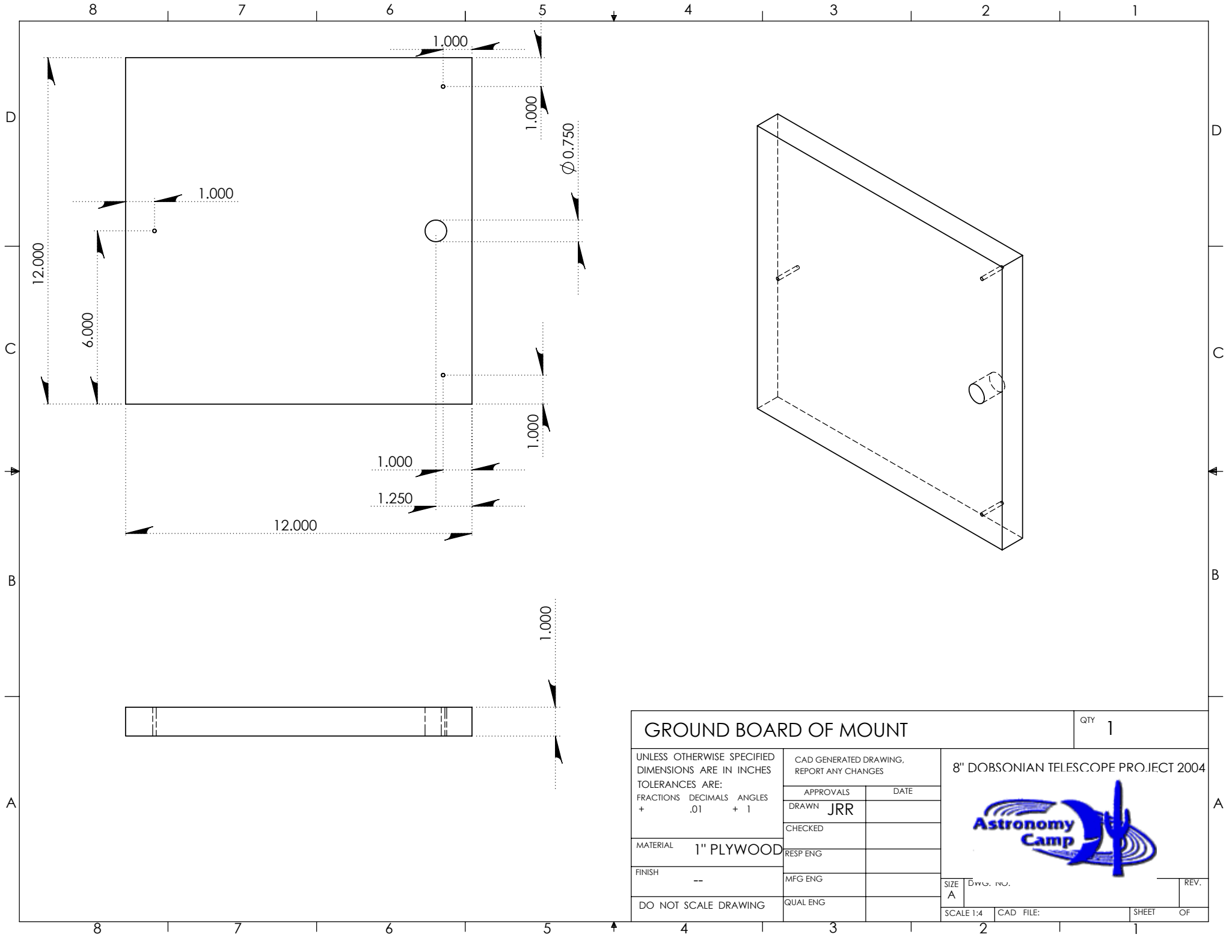
NOTES:  
 1. Cut this hole 360 deg first  
 (use cutout as altitude bearing),  
 followed by outer curve.

<b>LEFT WALL OF MOUNT</b>			QTY 1	
UNLESS OTHERWISE SPECIFIED DIMENSIONS ARE IN INCHES TOLERANCES ARE: FRACTIONS    DECIMALS    ANGLES +                .01                + 1		CAD GENERATED DRAWING. REPORT ANY CHANGES		8" DOBSONIAN TELESCOPE PROJECT 2004
		APPROVALS	DATE	
		DRAWN	JRR	
		CHECKED		
MATERIAL		RESP ENG		
3/4" PLYWOOD		MFG ENG		
FINISH		QUAL ENG		
--				
DO NOT SCALE DRAWING				
		SCALE 1:4	CAD FILE:	SHEET OF
		2	1	1



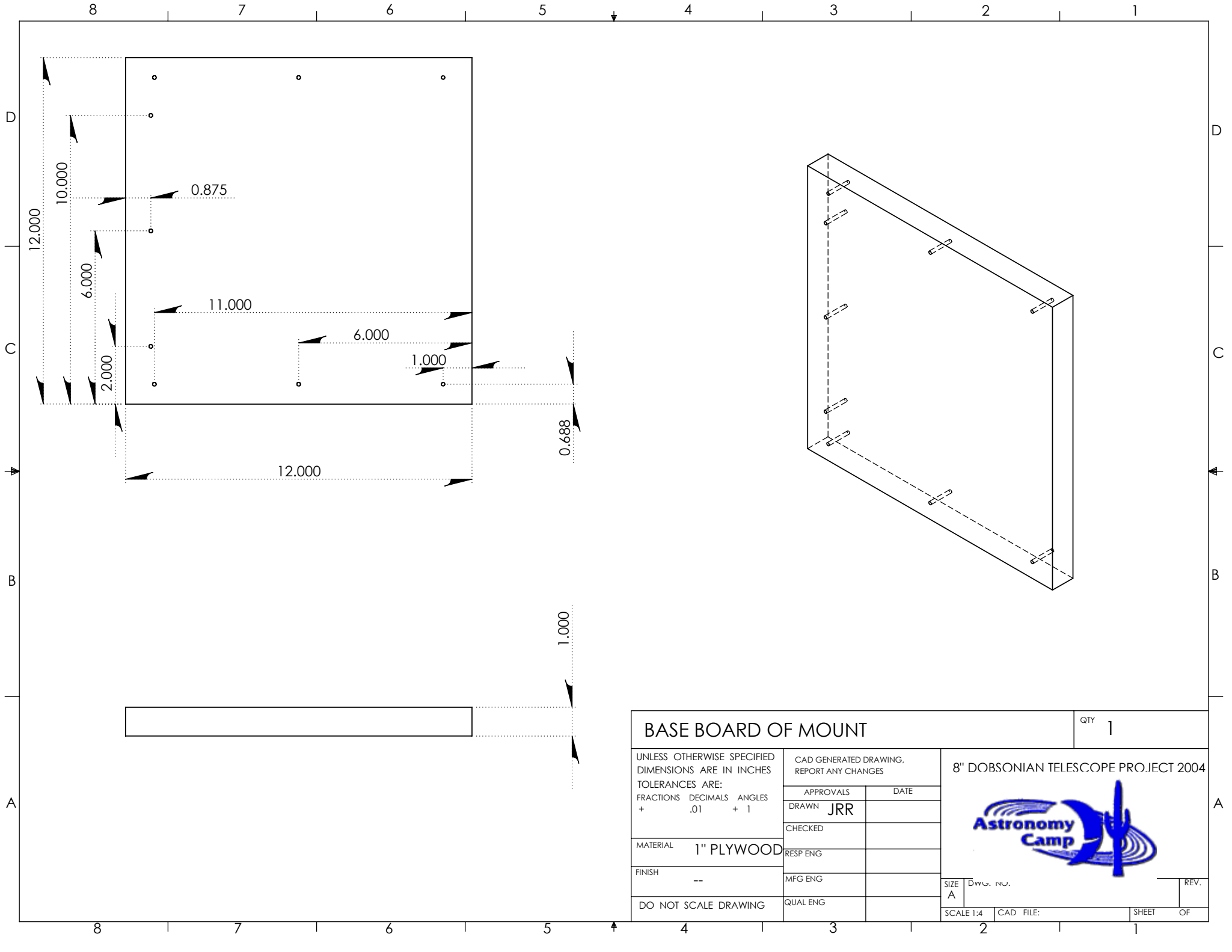



RIGHT WALL OF MOUNT				QTY 1	
UNLESS OTHERWISE SPECIFIED DIMENSIONS ARE IN INCHES TOLERANCES ARE: FRACTIONS DECIMALS ANGLES + .01 + 1		CAD GENERATED DRAWING. REPORT ANY CHANGES		8" DOBSONIAN TELESCOPE PROJECT 2004	
		APPROVALS	DATE		
DRAWN	JRR				
CHECKED					
MATERIAL	3/4" PLYWOOD	RESP ENG			
FINISH	--	MFG ENG		SIZE A	DWG. NO.
DO NOT SCALE DRAWING		QUAL ENG		SCALE 1:4	CAD FILE:
				SHEET	OF

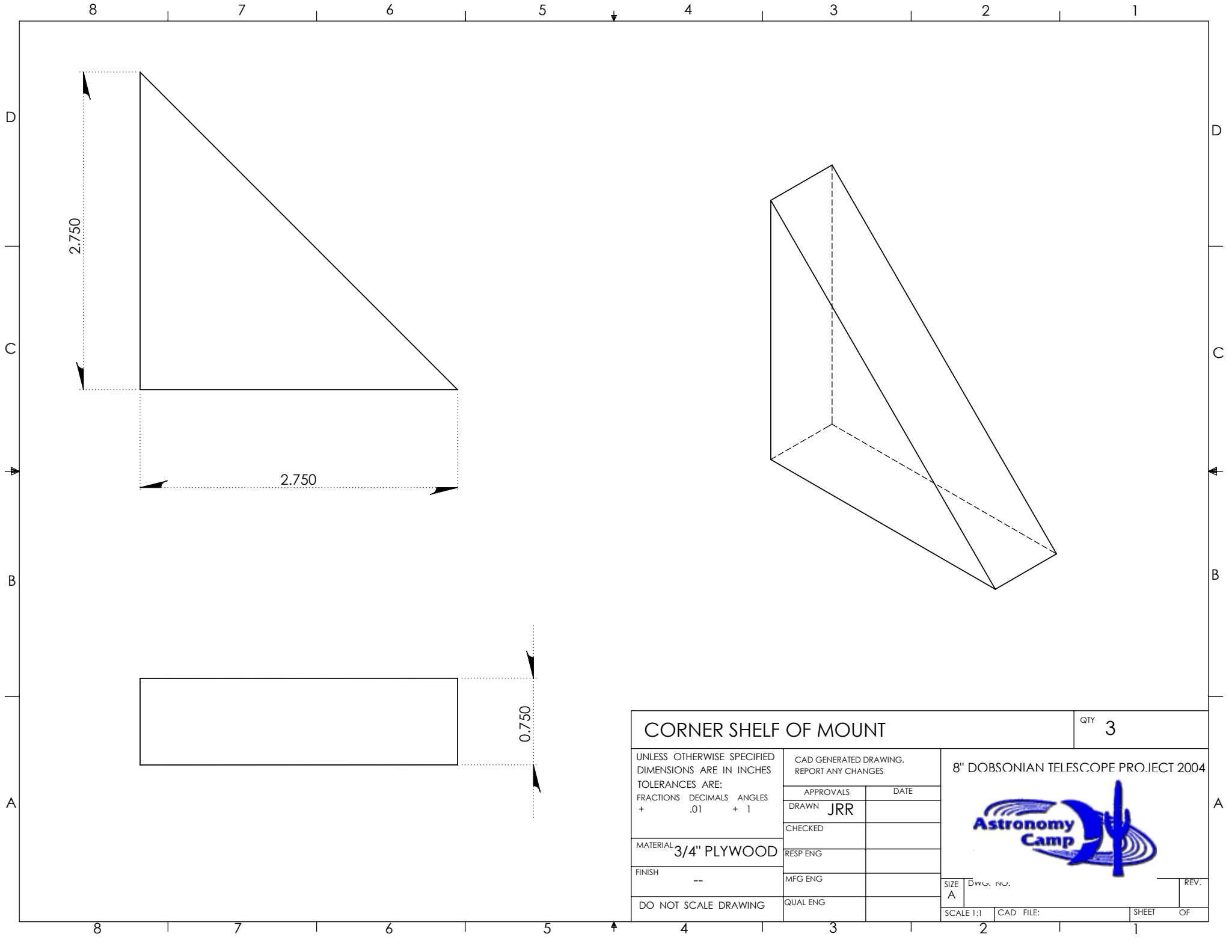



GROUND BOARD OF MOUNT				QTY 1	
UNLESS OTHERWISE SPECIFIED DIMENSIONS ARE IN INCHES TOLERANCES ARE: FRACTIONS DECIMALS ANGLES + .01 + 1		CAD GENERATED DRAWING, REPORT ANY CHANGES		8" DOBSONIAN TELESCOPE PROJECT 2004	
		APPROVALS	DATE		
DRAWN	JRR				
CHECKED					
MATERIAL	1" PLYWOOD	RESP ENG			
FINISH	--	MFG ENG		SIZE	DWG. NO.
DO NOT SCALE DRAWING		QUAL ENG		A	
		SCALE 1:4	CAD FILE:	SHEET	OF
				2	1

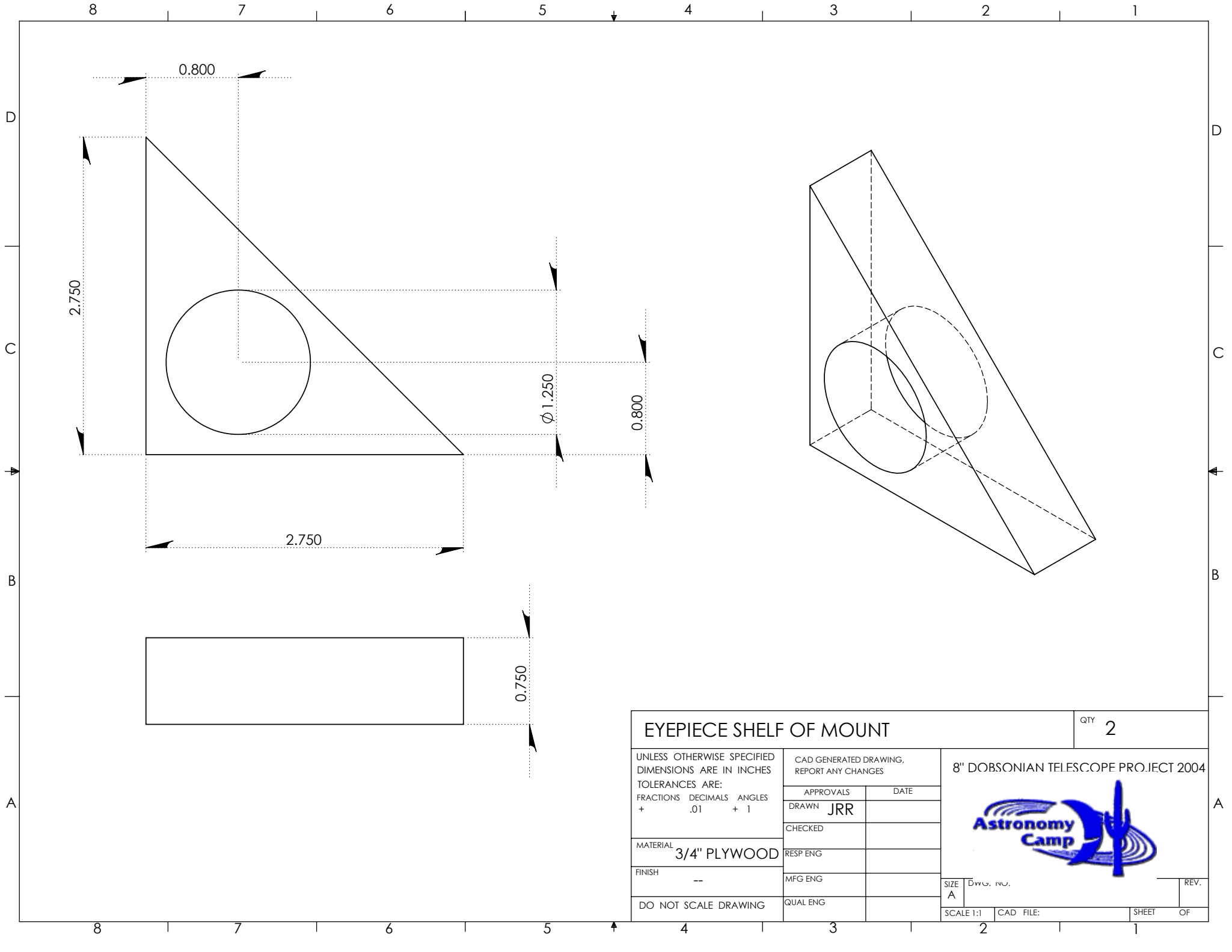





<b>BASE BOARD OF MOUNT</b>				QTY 1		
UNLESS OTHERWISE SPECIFIED DIMENSIONS ARE IN INCHES		CAD GENERATED DRAWING, REPORT ANY CHANGES		<b>8" DOBSONIAN TELESCOPE PROJECT 2004</b> 		
TOLERANCES ARE:		APPROVALS				DATE
FRACTIONS	DECIMALS	ANGLES	DRAWN			JRR
+	.01	+ 1	CHECKED			
MATERIAL	1" PLYWOOD		RESP ENG			
FINISH	--		MFG ENG			
DO NOT SCALE DRAWING		QUAL ENG				
SIZE	DWG. NO.		REV.			
A			SCALE 1:4	CAD FILE:	SHEET OF	



<b>CORNER SHELF OF MOUNT</b>			QTY 3			
UNLESS OTHERWISE SPECIFIED DIMENSIONS ARE IN INCHES TOLERANCES ARE: FRACTIONS    DECIMALS    ANGLES +                .01                + 1		CAD GENERATED DRAWING, REPORT ANY CHANGES		8" DOBSONIAN TELESCOPE PROJECT 2004		
		APPROVALS	DATE			
MATERIAL 3/4" PLYWOOD		DRAWN JRR				
FINISH --		CHECKED				
DO NOT SCALE DRAWING		RESP ENG				
		MFG ENG				
		QUAL ENG		SIZE A	DWG. NO.	REV.
		SCALE 1:1		CAD FILE:	SHEET	OF



EYEPIECE SHELF OF MOUNT				QTY 2		
UNLESS OTHERWISE SPECIFIED DIMENSIONS ARE IN INCHES TOLERANCES ARE: FRACTIONS DECIMALS ANGLES + .01 + 1		CAD GENERATED DRAWING. REPORT ANY CHANGES		8" DOBSONIAN TELESCOPE PROJECT 2004		
		APPROVALS	DATE			
MATERIAL		DRAWN	JRR			
3/4" PLYWOOD		CHECKED				
FINISH		RESP ENG				
--		MFG ENG				
DO NOT SCALE DRAWING		QUAL ENG		SIZE	DWG. NO.	REV.
				A		
				SCALE 1:1	CAD FILE:	SHEET OF
				2		1