

TELESCOPE ASSEMBLY

QTY 1

UNLESS OTHERWISE SPECIFIED
DIMENSIONS ARE IN INCHES
TOLERANCES ARE:
FRACTIONS DECIMALS ANGLES
+ .01 + 1

CAD GENERATED DRAWING.
REPORT ANY CHANGES

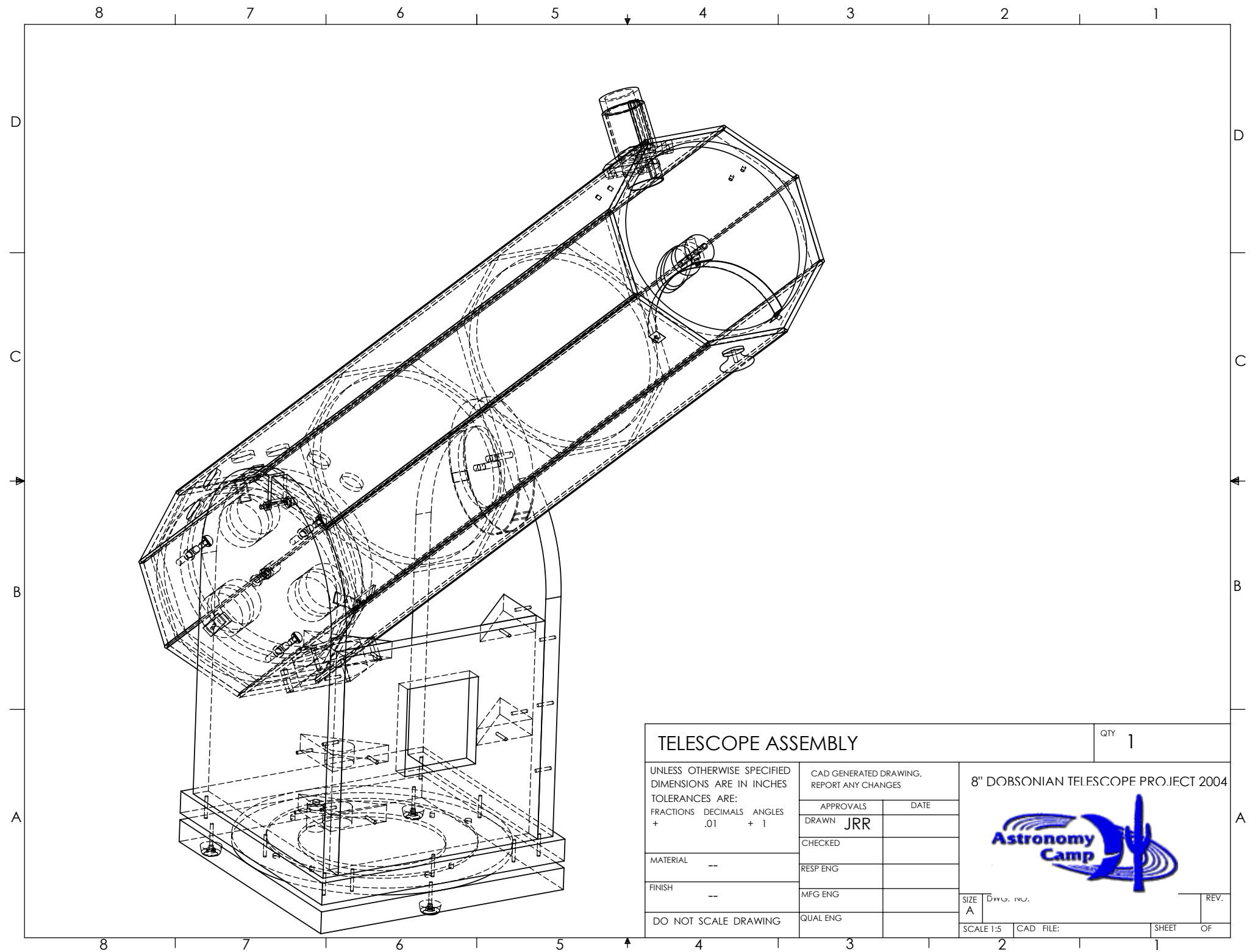
8" DOBSONIAN TELESCOPE PROJECT 2004




MATERIAL --
FINISH --
DO NOT SCALE DRAWING

APPROVALS		DATE
DRAWN	JRR	
CHECKED		
RESP ENG		
MFG ENG		
QUAL ENG		

SIZE A	DWG. NO.	REV.
SCALE 1:12	CAD FILE:	SHEET OF



TELESCOPE ASSEMBLY			QTY 1
UNLESS OTHERWISE SPECIFIED DIMENSIONS ARE IN INCHES TOLERANCES ARE: FRACTIONS DECIMALS ANGLES + .01 + 1	CAD GENERATED DRAWING, REPORT ANY CHANGES		8" DOBSONIAN TELESCOPE PROJECT 2004 
	APPROVALS	DATE	
	DRAWN JRR		
	CHECKED		
	RESP ENG		
MATERIAL	--		
FINISH	--		
DO NOT SCALE DRAWING	QUAL ENG		
		SIZE A	DWG. NO.
		SCALE 1:5	CAD FILE:
		SHEET	OF